

A Computer System includes

- **Hardware**

A computer consists of various devices referred to a **hardware** e.g., the keyboard, screen, mouse, disks, memory, DVD, CD-ROM and processing units

The Components of a Computer:

- Input Devices
- Output Devices
- CPU
- Memory
- Storage

- **Software**

The programs that run on a computer are referred to as **software**

Software is a series of **step-by-step instructions** that directs the computer turn data into information.

Software can be categorized as systems software or applications software.

- **System Software manage computer's resources** which are CPU, memory, disk drives, and printers.

- **Applications Software is applied to a real-world task.**

FIGURE 1 Common computer hardware components.



Central Processing Unit



Figure 1:
Central Processing Unit

A Memory Module with Memory Chips

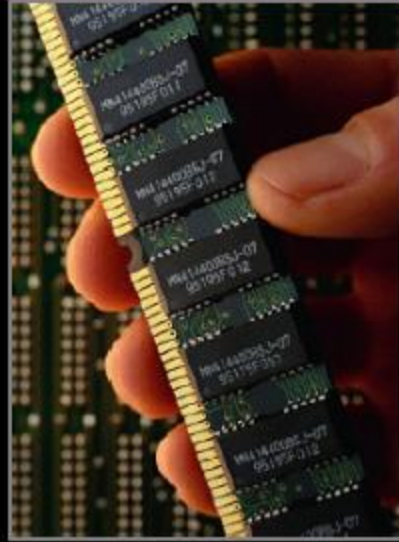


Figure 2:
A Memory Module with Memory Chips

A Hard Disk



Figure 3:
A Hard Disk

A Motherboard



Figure 4:
A Motherboard

Schematic Diagram of a Computer

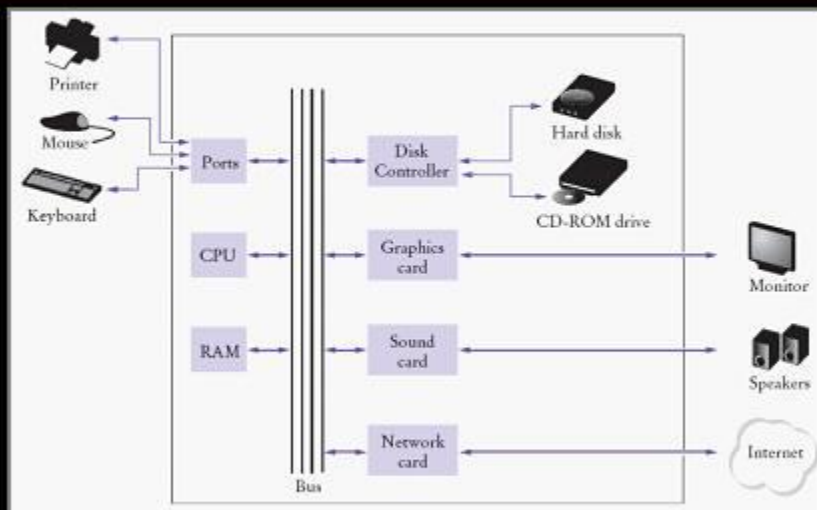


Figure 5:
Schematic Diagram of a Computer

The ENIAC

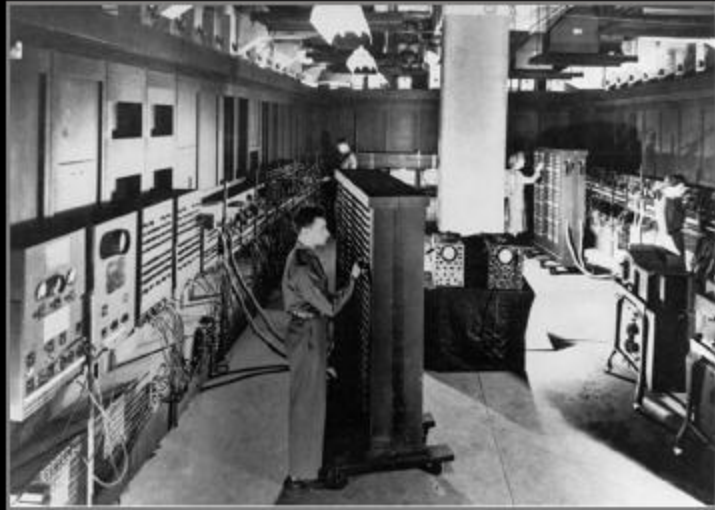


Figure 6:
The ENIAC

